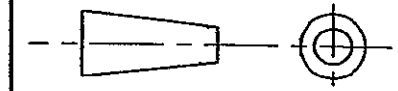


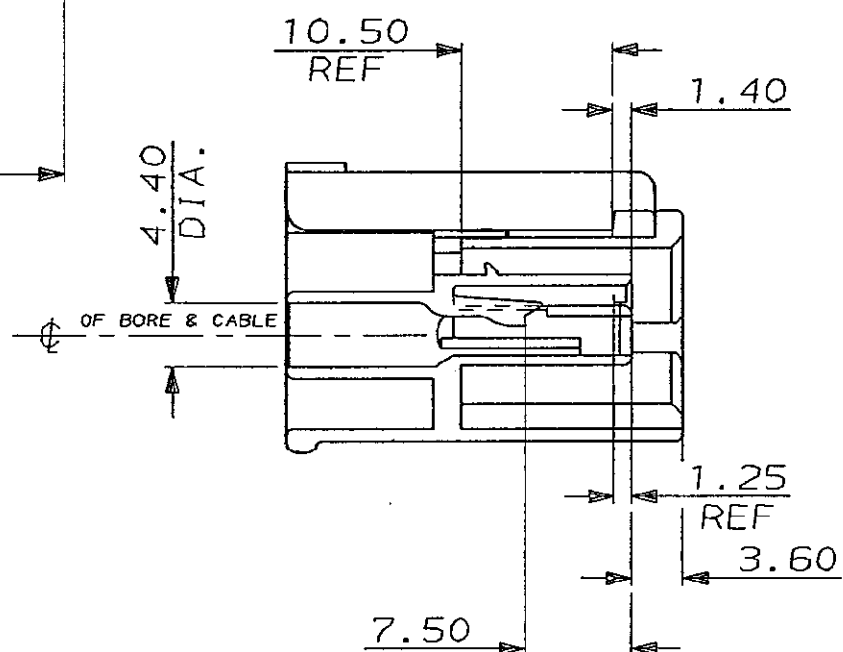
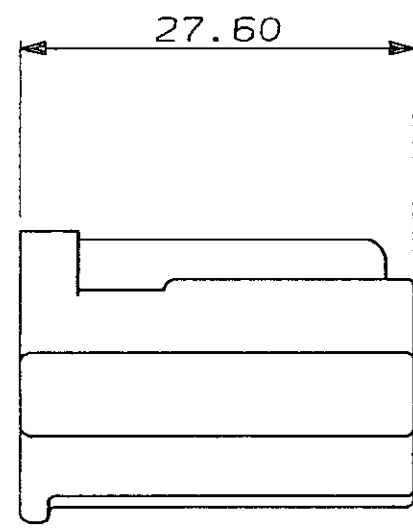
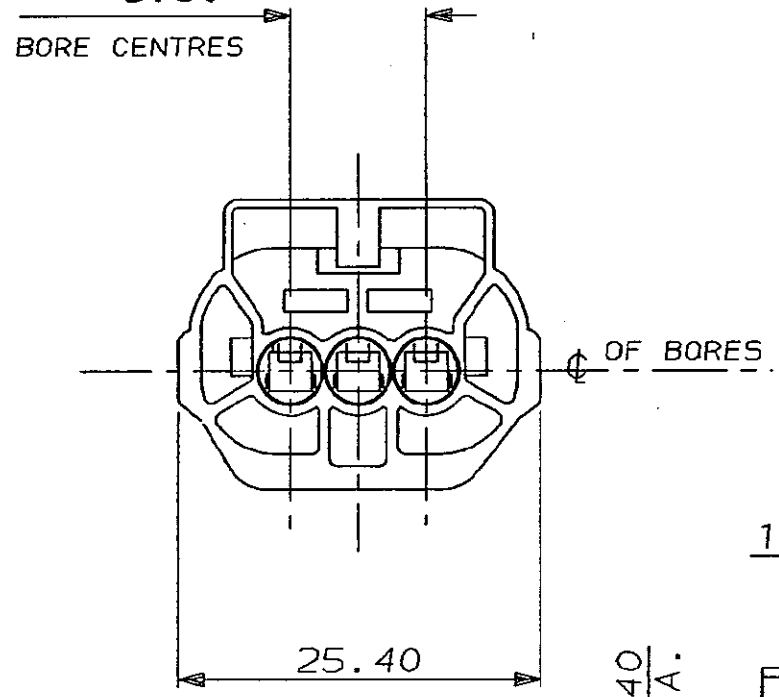
C.A.D. FILE CODE
5. C344273

DO NOT SCALE

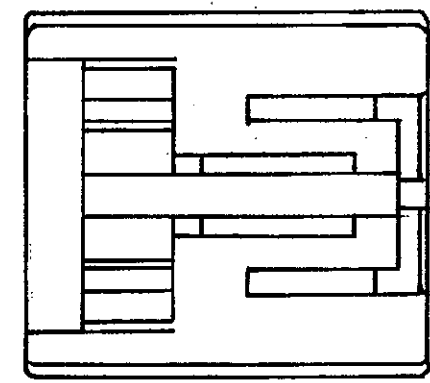
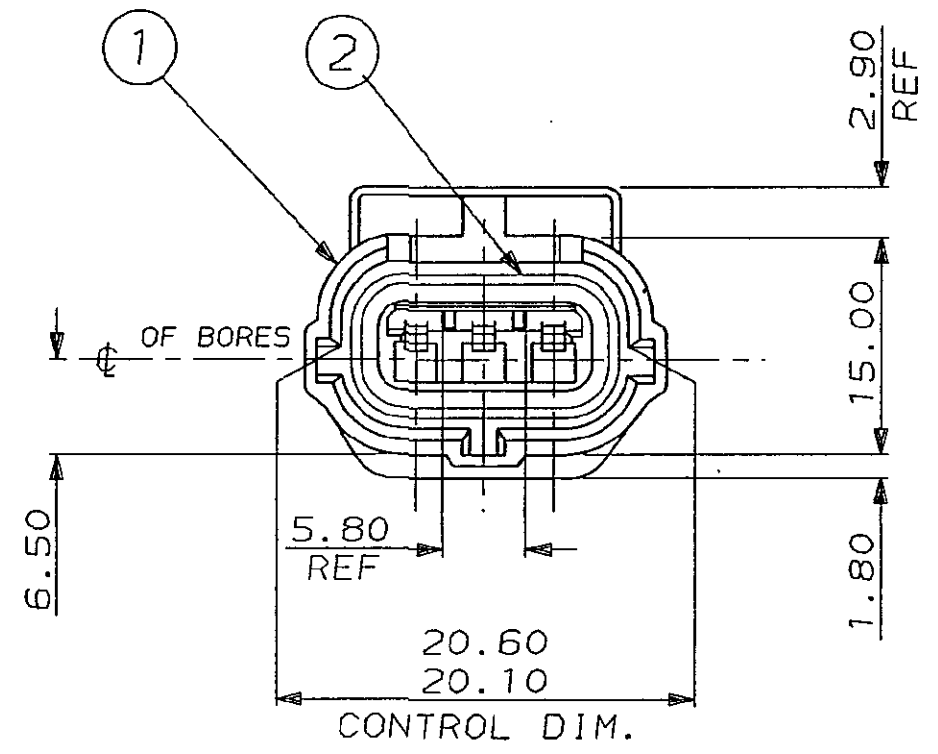
DIMENSIONS IN MM.



2 x 4.80
= 9.60
BORE CENTRES



SCRAP VIEW (SEAL NOT SHOWN)



SCRAP VIEW

ITEM No.	COLOUR	MATERIAL	PART No.	DESCRIPTION	QTY. PER ASSY.	ASSEMBLY PART No.
2	GREY	NITRILE RUBBER		PERIPHERAL SEAL	1	1-344273-4
1	WHITE	NYLON 66	344272-4	3 WAY REC. HSG.	1	(WHITE)
2	GREY	NITRILE RUBBER		PERIPHERAL SEAL	1	1-344273-3
1	BLUE	NYLON 66	344272-3	3 WAY REC. HSG.	1	(BLUE)
2	GREY	NITRILE RUBBER		PERIPHERAL SEAL	1	1-344273-2
1	RED	NYLON 66	344272-2	3 WAY REC. HSG.	1	(RED)
2	GREY	NITRILE RUBBER		PERIPHERAL SEAL	1	1-344273-1
1	BLACK	NYLON 66	344272-1	3 WAY REC. HSG.	1	(BLACK)
2	ORANGE	SILICONE RUBBER		PERIPHERAL SEAL	1	344273-4
1	WHITE	NYLON 66	344272-4	3 WAY REC. HSG.	1	(WHITE)
2	ORANGE	SILICONE RUBBER		PERIPHERAL SEAL	1	344273-3
1	BLUE	NYLON 66	344272-3	3 WAY REC. HSG.	1	(BLUE)
2	ORANGE	SILICONE RUBBER		PERIPHERAL SEAL	1	344273-2
1	RED	NYLON 66	344272-2	3 WAY REC. HSG.	1	(RED)
2	ORANGE	SILICONE RUBBER		PERIPHERAL SEAL	1	344273-1
1	BLACK	NYLON 66	344272-1	3 WAY REC. HSG.	1	(BLACK)

CUSTOMER DRG.
FOR REFERENCE ONLY.

REV	MODIFICATION	ECN	DATE
J	GREY SEALS WERE L. BLUE	EB00-0194-97	3.4.97
H	ADDED 1-344273-1, -2, -3 & -4	EB00-0002-95	3.1.95
G	PER. SEAL MOD.	EB00-0238-94	6.5.94
F	PICTORIAL CHANGE TO 'RESIN' LANCE	CS126	1.4.92
E	CONTROL DIM. WAS 20.50/20.10	CS054	4.2.92
D	MOD. A/B. RETENTION	CS953	26.11.91
C	ADDED -2, -3 & -4	CS720	22.2.91
B	UPDATED	CS241	15.6.89
A	UPDATED	CS014	28.7.88
K	SCRAP VIEW ADDED	EB00-0350-97	18.4.97

© COPYRIGHT 1987 BY AMP OF GREAT BRITAIN LTD.		RELEASED FOR PUBLICATION	
ALL INTERNATIONAL RIGHTS RESERVED. ALL PRODUCTS		5.11.87	
MAY BE COVERED BY BRITISH AND FOREIGN PATENTS AND/OR PATENTS PENDING.			
TOLERANCES UNLESS OTHERWISE STATED :		DR. R.S. 5.11.87	
DEC ± 0.5		CH. R.R.	
ANGLES ± 1°		APP. B.J.	
NAME		TERMINAL HOUSE STANMORE MIDDX.	
3 WAY REC. HSG. ASSY. ECONOSEAL 3 LOW CURRENT			
SCALE	LOC	SIZE	DWG. No.
2/1	E	A3	C344273
REV	MODIFICATION	ECN	DATE
K	SCRAP VIEW ADDED	EB00-0350-97	18.4.97
REV	MODIFICATION	ECN	DATE
K			
REV	MODIFICATION	ECN	DATE
K			